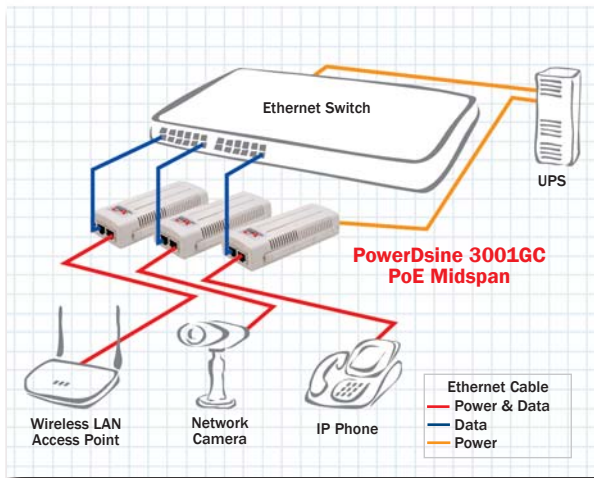


PowerDsine® 3001/3001GC

Up to Gigabit PoE for Security Network and Low Terminal Density Installations



Overview

PowerDsine's 3001/3001GC Power over Ethernet (PoE) single port Midspan (PoE injector) offers a compact and cost effective, fully IEEE 802.3af compliant solution for security network and other low port density IP Terminal installations.

The 3001 PoE Midspans provide a compact, affordable, safe and reliable power solution over existing Ethernet infrastructure.

PD-3001/3001GC Features

- Cost-effective power distribution for WLAN access point installations
- Safe powering of 802.3af compliant, as well as Pre-standard end-terminals
- Investment protection of existing Ethernet switches and cabling infrastructure
- Saves time and reduces installation costs
- Easy plug-and-play installation
- Several units can be mounted adjacently for powering more than one Ethernet terminal
- Cleans up low-density wireless LAN deployment and eliminates the need for multiple one-port PoE solutions
- Supports Gigabit Ethernet data transmission for applications such as Wi-Max access points, Gig IP phones, and IP cameras

PD-3001/3001GC Specifications

| | |
|--|--|
| No. of Ports | 1 |
| Pass Through Data Rates | 3001: 10/100 Mbps 3001GC: 10/100/1000 Mbps |
| Power over Ethernet Output | Pin Assignment and Polarity: 4/5 (+), 7/8 (-) Output Power Voltage: 48Vdc User Port Power: 15.4 Watts Max. |
| Input Power Requirements | AC Input Voltage: 90 to 264 Vac AC Input Current: 0.5A @ 110-220 Vac AC Frequency: 47 to 63 Hz |
| Dimensions | 60 mm (W) x 31 mm (H) x 145 mm (L) 2.36 in. x 1.2 in. x 5.7 in |
| Weight | 1 lbs (450g) |
| Indicators | System Indicator: AC Power (Green) User Indicator: Channel Power (Green) |
| Connectors | Shielded RJ-45, EIA 568A and 568B |
| Environmental Conditions | Operating Ambient Temperature: 32° to 104°F (0 to 40°C) Operating Humidity: Maximum 90%, Non-condensing Storage Temperature: -4° to 158°F (-20° to 70°C) Storage Humidity: Maximum 95%, Non-condensing Operating Altitude: -1000 to 10,000 ft. (-304.8 to 3048 m) |
| Reliability | MTBF: 100,000 hrs. @25°C |
| Thermal Rating | 300 BTU/Hr (@240VAC) |
| Warranty | 1-year |
| Regulatory Compliance | IEEE 802.3af (PoE), RoHS Compliant WEEE Compliant, CE |
| Electromagnetic Emission & Immunity | FCC Part 15, Class B with FTP cabling EN 55022 Class B (Conductive Emissions on Telecommunications Port) EN 55024 (Immunity), VCCI |
| Safety Approvals | UL/cUL Per EN 60950 GS Mark Per EN 60950 |

Ordering Information



| Part Number | Name | Description |
|--------------|-------------------|-------------------------|
| PD-3001/AC | PowerDsine 3001 | 1-port 10/100 Mbps |
| PD-3001GC/AC | PowerDsine 3001GC | 1-port 10/100/1000 Mbps |